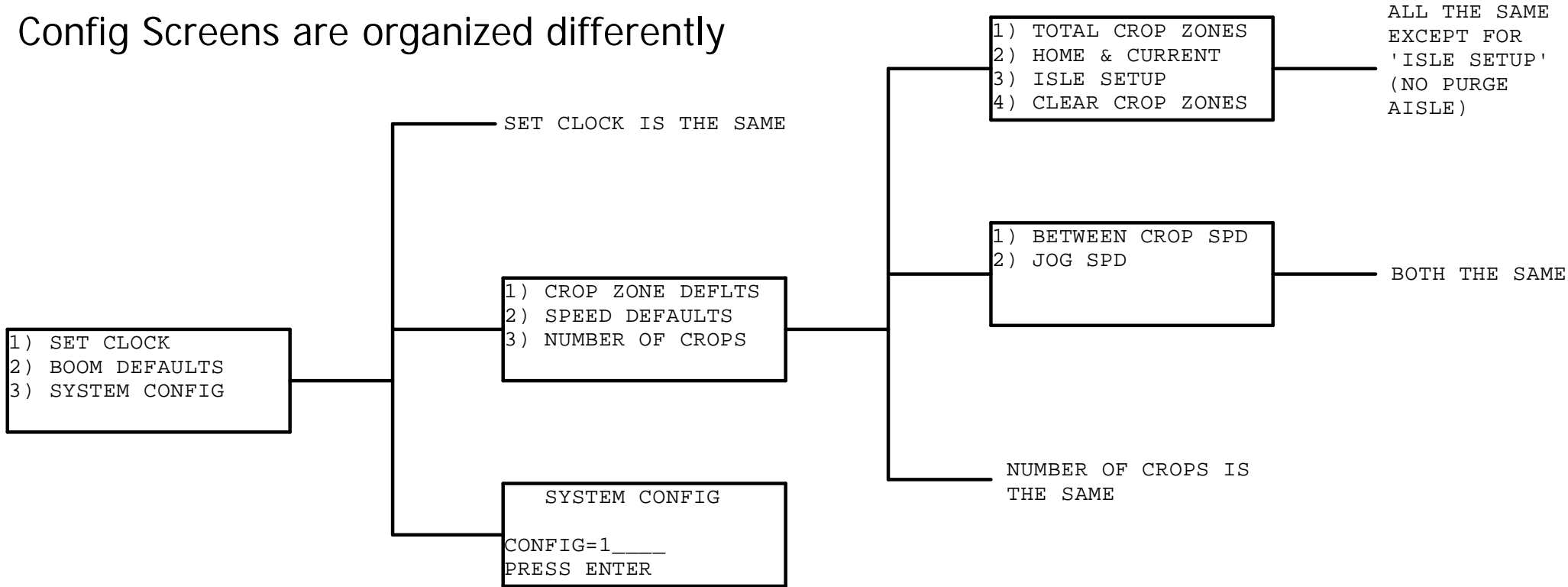


# COMMON SENSE LITE - CONFIG MENU DIFFERENCES

Config Screens are organized differently



System Config replaces on-board dip switches with virtual dip switches

```

SYSTEM CONFIG
CONFIG=1_____  
PRESS ENTER
  
```

- 1: on = motion sensing enable
- 2: on = floating home
- 3: on = stop on index error
- 4: on = clear boom & load demo program
- 5: on = jog-by-switch enable

- off = motion sensing disable
- off = static home
- off = readjust on index error
- off = no clear & load
- off = jog-by-switch disable