



**GREENHOUSE
TECHNOLOGY
INC.**

- Purpose of Quote:** Check One
- General Pricing Information
- New Greenhouse Project
- Existing Greenhouse Retrofit
- Future Project

1 Greenhouse Information

Fax To: (859) 626-3096

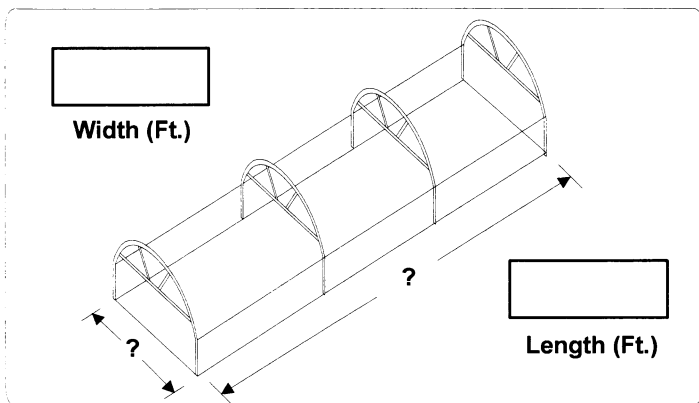
Contact:	Phone: () -
Company Name:	Fax: () -
Company Address:	Email:

2 Type of Greenhouse

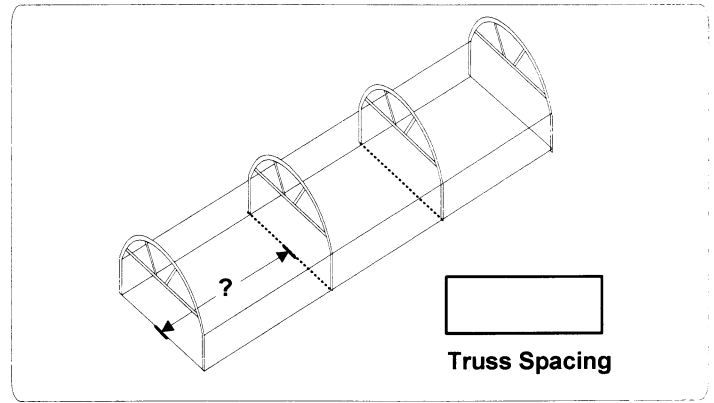
<input type="checkbox"/> Quonset	<input type="checkbox"/> Gutter Connect
--	---

3 Number of Greenhouses (Bays)

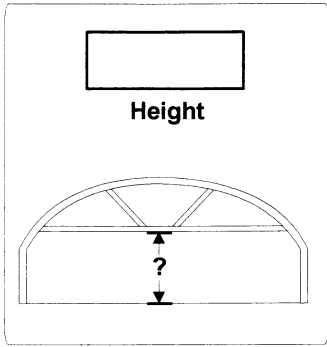
4 Greenhouse Size



5 Truss Spacing



5 *Distance to Bottom Cord of Truss or Cross Tie*



6 *Construction of Bottom Cord of Truss or Cross Tie*

Round <input type="checkbox"/>	Square <input type="checkbox"/>	Rectangle <input type="checkbox"/>	Wood <input type="checkbox"/>	Single Angle <input type="checkbox"/>	Double Angle <input type="checkbox"/>
<input type="text"/>	<input type="text"/>	<input type="text"/>	<input type="text"/>	<input type="text"/>	<input type="text"/>
Outside Diameter	Outside Diameter	Height X Width	Height X Width	Height X Width	Height X Width

7 *Does the Greenhouse Have Raised Benches?*

Yes No

8 *If there are Benches, What Type?*

(Optional)

Fixed Benches

Space Saver Benches

Dutch Trays

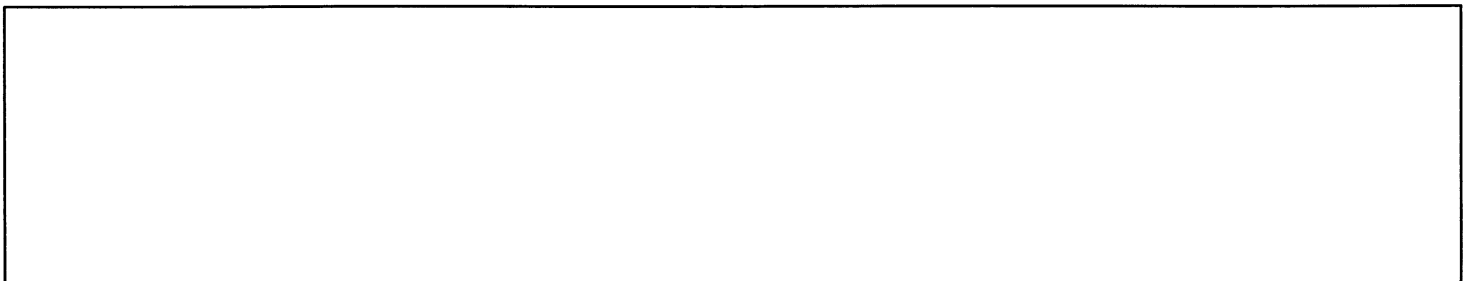
9 *Height and Width of Benches*

(Optional)

Width (Inches)

Height (Inches)

10 *Please Draw a Layout of the Greenhouse (Bay) - Overhead View*



Please include the location of shipping isles, walking isles, crop locations, unit heaters, hanging basket lines or basket systems and anything else below the truss or cross tie that could obstruct the operation of a traveling boom system.

11 *What Will be Misted or Watered ?*

12 *Will you be Working with a Single or Multiple Crops in your Greenhouse (bay).*

Cuttings

Plugs

Bedding Plants

Potted Plants *

* Sizes _____

Single Crop

Multi-Crop

Crop A

Crop B

Crop C

Crop D

12 *Do you want your boom(s) to react to changes to the environment inside the greenhouse as to when plants are watered/misted?*

Yes

No

12 *Do you know what design of boom you would prefer for your application?*

Single Rail

Double Rail

Tower Boom

Floor Runner

Boomerang

Sizes and Weights of Baskets Grown

Types of Plants Grown (Ivy Geranium, ??)

Basket Spacing

Type(s) of Customer(s) (Big Box, Garden Center or Nursery)

House Manufacturer

House Type or Model

Truss Spacing

Truss Bottom Cord (Profile, Dimensions)

House Length

House Width

House Height Under Bottom Cord

Drum Size (30", 40" or 50") Line Spacing?

of Plant Layers

Location of Isles (Walking and Shipping)

of Crop Turns